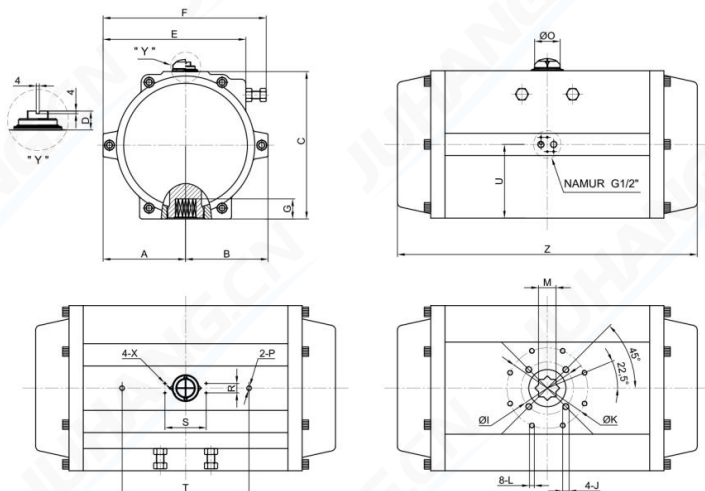


JHA8000SR 90° DATASHEET



Reference Parameters			
Cylinder size	400		mm
Weight	255		kg
Air volume	Open	52.2	L
	Close	-	
Cycle speed*①	Open	<31	s
	Close	<29	
Pressure rang	2 up to 8		bar(g)
Media	Clean,dry and non-corrosive compressed air		
Temperature	High	-15 up to 150	°C
	Standard	-20 up to 80	
	Low	-40 up to 80	
Flange	F16/F25		
Stroke	90±5		°

> According to EN 15714-3 & ISO 5211

>*①. Test conditions: clean air with a pressure of 6 bar,the diameter of the pipe is10 mm,and the temperature is room temperature.

Dimensions in mm

Model	A	B	C	D	E	F	G	U	φK	L	M	R	S	T	O	J	φI	P	Z	X	Air connection
JHA8000SR	260	260	464	30	450	514	62	232	254	M16*25	55	30	130	400	80	M20*25	165	M16*20	945	M5*8	G1/2"

OUTPUT TORQUE (Unit:N.m)

Model	Air Supply Pressure in bar(g)																				
	Spring	2.5		3		4		4.5		5		5.5		6		7		8		Spring output	
	Type	0°	90°	0°	90°	0°	90°	0°	90°	0°	90°	0°	90°	0°	90°	0°	90°	0°	90°	Start	End
JHA8000SR	K8	1914	838	2738	1662	4387	3311	5211	4135	6035	4959	6859	5783							3283	2207
	K10			2186	842	3835	2490	4659	3315	5483	4139	6307	4963	7132	5787	8780	7435			4103	2759
	K12					3283	1669	4107	2494	4931	3318	5756	4142	6580	4966	8228	6615	9877	8263	4924	3311

OUTPUT TORQUE (Unit:lbf.in)

Model	Air Supply Pressure in psi																				
	Spring	36		44		58		65		73		80		87		102		116		Spring output	
	Type	0°	90°	0°	90°	0°	90°	0°	90°	0°	90°	0°	90°	0°	90°	0°	90°	0°	90°	Start	End
JHA8000SR	K8	16940	7417	24233	14710	38828	29305	46121	36598	53414	43891	60707	51184							29057	19533
	K10			19348	7452	33942	22038	41235	29340	48528	36633	55821	43926	63123	51219	77709	65805			36314	24419
	K12					29057	14772	36350	22074	43643	29367	50945	36660	58238	43953	72824	58547	87418	73133	43581	29305

Notes:

> 1 bar(g) = 14.5038 psi ; 1 N.m = 8.8507 lbf.in

> For further information regarding options , materials , certifications and additional execution please contact JUHANG's sales office.

> Flange and bi-square drive shall comply with ISO 5211 standard.

> Solenoid valve mounting interface according to VDI/VDE 3845(NAMUR)

